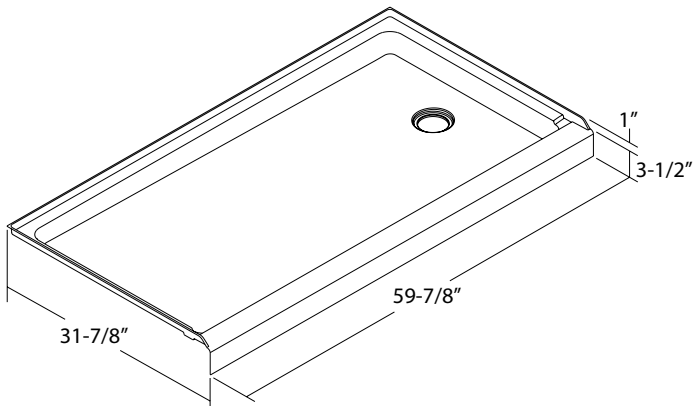
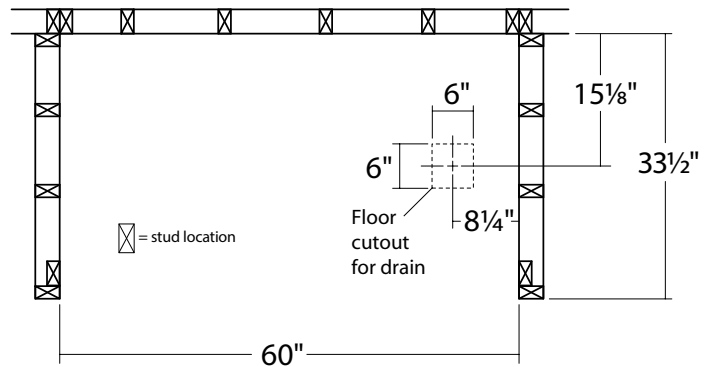


IMPORTANT INSTALLATION INSTRUCTIONS
READ AND FOLLOW ALL INSTRUCTIONS
SAVE THESE INSTRUCTIONS

Keating™ 6032 Shower Base (HDEB6032(L/R)xx)



Fits most standard 60" x 32" shower walls.
Right hand drain shown.



6032 Stud Layout
Right hand drain shown.
Opposite for left hand drain.

TOOLS YOU WILL NEED:

Level
Jig Saw
Tape Measure
Pencil
Power Drill
Safety Glasses

SUPPLIES YOU WILL NEED:

Screws, 1-5/8" Flathead
Wood Shims
Construction Adhesive
Mortar Compound (Optional)
Silicone Caulk for Drain

IMPORTANT

- Read installation instructions carefully before starting project.
- Peel back protective film to verify color before installation.
- Allow show base to reach room temperature before installation.
- Do not use plumber's putty. Will cause product failure and void warranty. Use a high grade silicone caulk for all necessary locations.
- Keep instructions for warranty information.

STEP 1. PREPARING ALCOVE

- Strip to bare studs if not using a one-piece wall.
- If installing a one-piece wall, then shower base and one-piece wall must be installed onto drywall.
- Shower base stud pocket should be constructed as shown on page 1.
- Do not install shower base on open floor joists. Subfloor must be clean, smooth and level (check with level). Sub-floor must be installed in the stud layout.
- Cut hole in sub floor to accommodate drain.

STEP 2. INSTALLING SHOWER BASE

- Trial fit shower base in prepared alcove. With shower base sitting flat on sub-floor, check with level on top of shower base. Shower base should be level from front to back and side to side (Fig. 1). If shower base is not level use standard wood shims or leveling compound.
- Shower base feet must be glued to subfloor with construction adhesive (Fig 2 and 3). Unless using a floor leveling compound.
- **If you prefer, use floor leveling compound (smooth mortar) or a similar quick-setting compound specifically made for leveling floors.**
- If alcove is larger than shower base, shim between shower base and studs to create a tight fit. After shower base is leveled, verify that all shower base feet make contact with the sub-floor and/or shims. Screw shower base flange to all studs (Fig. 4).
- Connect drain piping to drain.

STEP 3. CLEANING

- Do not use any abrasive cleaners or metal scrapers.
- If drywall mud or plaster gets on finished surface, it may be carefully removed with a wooden scraper made from a piece of scrap wood.
- Adhesive may be removed with mineral spirits.
- Ideal cleaners are Soft Scrub Gel® or Comet Gel®.

WARNING: Some cleaning products are not suitable for use. Read all labels carefully DO NOT USE if they say "not suitable for use with ABS, acrylic or polystyrene."

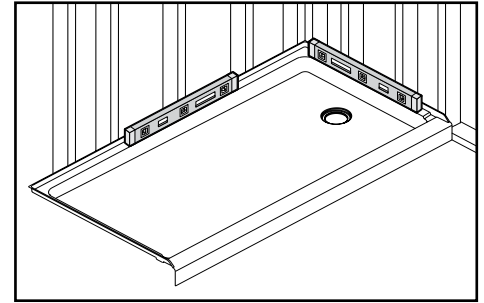


FIGURE 1. Assure base is level.

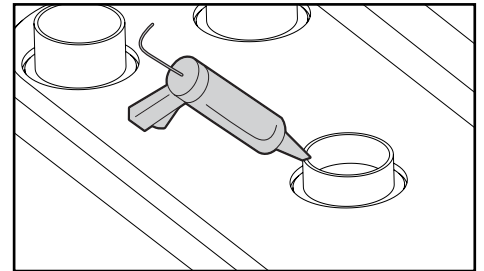


FIGURE 2. Apply construction adhesive to bathtub feet. (Above floor rough-in feet shown)

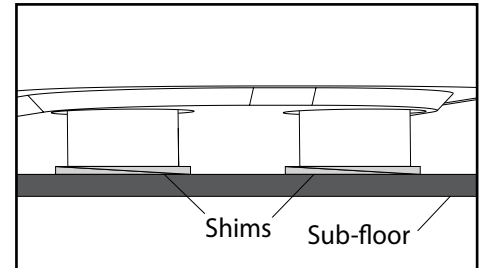


FIGURE 3. Shim feet if needed using construction adhesive to attach shims to bathtub feet and subfloor.

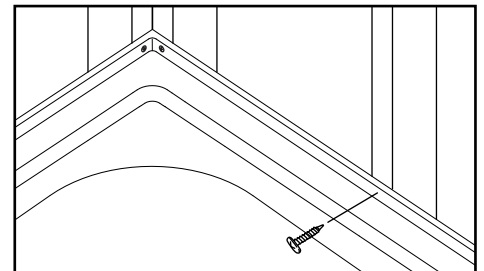


FIGURE 4. Run a screw through bathtub flange at each stud location.

SCRATCH REMOVAL INSTRUCTIONS

1. For effective scratch removal and polishing, you will need to purchase these items.
 - 1 sheet 1000 grit 3M® wet-dry sandpaper
 - 1 sheet 1500 grit 3M® wet-dry sandpaper
 - 1 sheet 2000 grit 3M® wet-dry sandpaper
 - 1 small container of 3M® rubbing compound #05933These items can be purchased at most auto supply stores that provide supplies to professional paint and body shops. Call before you go. Not all auto supply stores will have these items.
2. Start sanding with 2000 grit paper. Use small squares of paper about 2" x 2" for all sanding, and use lots of water. The water serves as both a lubricant and to prevent residue buildup on the paper. Residue buildup shortens the effective life of the paper and may scratch the surface you're trying to polish.
3. 2000 grit paper is the finest grit available (the higher the number, the finer the grit). If you can't remove all of the scratches with 2000 grit, switch to 1500 grit. Remember to wash the paper frequently with water as you sand.
4. If all of the scratches can't be removed with 1500 grit, switch to 1000 grit. This should remove most fine scratches. If you have deep scratches or a gouge, coarser paper may have to be used (see chart to right). Be careful! Using grit that is too coarse may actually put in more scratches than it removes.
5. Once you have removed all of the scratches, by sanding with the finest paper possible, repeat the sanding process using successively finer grits of paper until you've once again sanded with 2000 grit.
6. Now use 3M® rubbing compound #05933 on a soft, damp cloth. Polish using considerable pressure to produce a smooth, shiny finish.

SUPERFICIAL SCRATCH
2000 grit

LIGHT SCRATCH
1500 – 2000 grit

MEDIUM SCRATCH
1000 – 2000 grit

DEEP GOUGE
600 – 2000 grit

SCRATCH / SANDPAPER GUIDE

HD SUPPLY BATHING FIXTURE — LIMITED WARRANTY

5-YEAR CONSUMER, 2-YEAR COMMERCIAL

HD Supply warrants to the original purchaser that this HD Supply bathing fixture will be free of manufacturing defects, which affect its performance as a bathing or showering fixture, under the following conditions and subject to the limitations contained in the "Remedies" and "Warranty Limitations" sections. The Limited Warranty applies for 5 years from the date of purchase if the fixture is used in a residential owner-occupied building for non-commercial purposes; or for 2 years from the date of purchase if it is used in any other building, including any building used for rental, commercial, or business purposes. This Limited Warranty is void if the fixture is not installed in accordance with the installation instructions supplied by HD Supply, or local building codes and ordinances, or if the care and cleaning instructions supplied by HD Supply are not followed. This Limited Warranty is also void if the fixture is moved from the location of its initial installation, or is subjected to accident, abuse, or misuse. The Limited Warranty excludes normal wear and tear, and does not cover damage that can be repaired by following the Scratch Removal Instructions. This Limited Warranty shall be void unless any failure or non-conformance is discovered before the expiration of this warranty, and is reported to HD Supply, in writing, accompanied by the original proof of purchase, within 30 days of discovery, to: **HD Supply Facilities Maintenance, Ltd., 10641 Scripps Summit Court, San Diego, CA 92131**

REMEDIES — The original purchaser's remedy under this Limited Warranty is limited to the repair, replacement, or refund of the purchase price of the fixture, at HD Supply sole option, of any part of the fixture which has failed or does not conform to the manufacturer's specifications. In no event shall HD Supply be liable for lost profits, loss of use, incidental, special or consequential damages including, but not limited to, damage to or loss of use of the building or its contents, arising out of any defect in the fixture; nor shall HD Supply be liable for any amount in excess of the original purchase price of the fixture. HD Supply reserves the right to require the return, at purchaser's expense, of the damaged fixture for repair or exchange before providing services under this Limited Warranty. If HD Supply elects to replace the fixture, its obligation is limited to supplying a replacement unit or component part of comparable size and style, and does not include the cost of removal, installation, or transportation, which must be borne by the purchaser. Replacement parts provided under this Limited Warranty are warranted for the remainder of the original warranty period applicable to the fixture, as if such parts were original components of that fixture.

WARRANTY LIMITATIONS — THERE ARE NO WARRANTIES WHICH EXTEND BEYOND THE DESCRIPTION ON THE FACE HEREOF. IMPLIED WARRANTIES, INCLUDING THOSE OF MERCHANTABILITY OR FITNESS FOR A PARTICULAR PURPOSE, ARE EXPRESSLY DISCLAIMED. HD SUPPLY DISCLAIMS ANY AND ALL LIABILITY FOR SPECIAL, INCIDENTAL OR CONSEQUENTIAL DAMAGES. Some states do not allow limitations of incidental or consequential damages, so the above limitations and exclusions may not apply to you. In such states, HD Supply's liability shall be limited to the extent permitted by state law. ANY IMPLIED WARRANTIES ARISING BY WAY OF STATE LAW, INCLUDING ANY IMPLIED WARRANTY OF MERCHANTABILITY OR ANY IMPLIED WARRANTY OF FITNESS FOR A PARTICULAR PURPOSE, ARE LIMITED IN DURATION AND IN SCOPE OF COVERAGE TO THE TERMS OF THIS LIMITED WARRANTY, UNLESS A SHORTER PERIOD IS ALLOWED BY LAW.